

MODify 4-Sided Kit 02

MODify™ is a one-of-a-kind Modular Merchandising System that is made up of interchangeable fixtures and accessories that can be easily assembled, disassembled, and rearranged to create a variety of different display configurations. The MODify system incorporates SEG push-fit fabric graphics that enable you to brand, promote and merchandise with ease.

MODify 4-Sided Kit 02 is a cutting-edge retail merchandising display tower that uses silicone-edge graphics on all four sides and can be adorned with fixtures such as shelves or hang bars. The top header allows branding to be prominently displayed for maximum visibility.



We are continually improving and modifying our product range and reserve the right to vary the specifications without prior notice. All dimensions and weights quoted are approximate and we accept no responsibility for variance. E&OE. See Graphic Templates for graphic bleed specifications

features and benefits:

Base Kit includes:

- Frame, slatwall, shelf and base colors in kit are all the same, your choice of all white, black, or silver
- Heavy-duty aluminum frame, steel base
- Steel, slotted uprights
- Center tower holds four 36"W x 117"H SEG push-fit fabric graphics and can hold a multitude of fixtures for merchandising
- Square header holds four 60"W x 18"H SEG push-fit graphics & attaches to Center tower
- Display is easy to assemble and install
- Lifetime hardware warranty against manufacturer defects

Optional Accessories Include:

- Monitor Mount (32" TV Shown)
- U bars
- Slatwall hooks
- Shelves
- Towel bars
- Faceout bars
- Waterfalls

dimensions:

Hardware

Assembled unit:

60"W x 120"H x 60"D
1524mm(w) x 3048mm(h) x 1524mm(d)

Approximate Weight:
135 lbs / 61.235 kg

Shipping

Packing case(s):
1 Box

Shipping dimensions:
(96"L x 24"H x 24"D)
2438.4mm(l) x 609.6mm(h) x 609.6mm(d)

Approximate shipping weight:
216 lbs / 5486.4 kg

additional information:

Graphics

Graphic material: Dye-sublimated fabric

See graphic templates for graphic sizes.

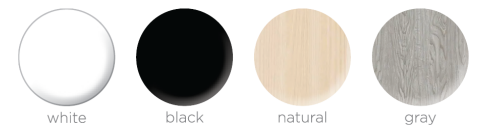
Refer to related graphic templates for more information Visit:

<https://www.theexhibitorshandbook.com/downloads/download-graphic-templates>
or click here

Powder coat color options:



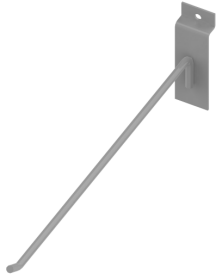
Wood laminate color options:



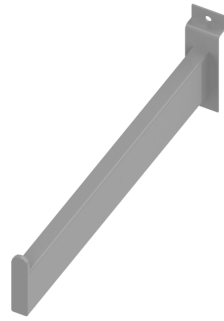
MODify Accessories

All Accessories available in white, black, or silver

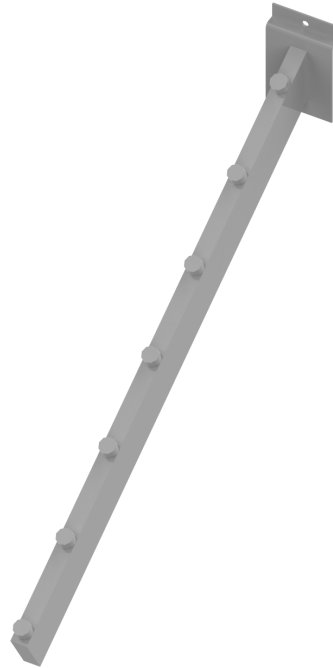
Slotwall Accessories



MFY-SLT-HK
4", 6", 8", 10" & 12"

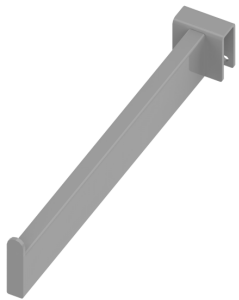


MFY-SLT-FC
6", 8", 10" & 12"

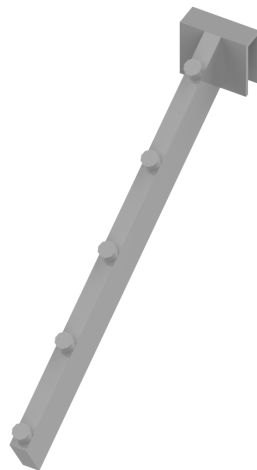


MFY-SLT-WTR-16-7

U-Bar Accessories

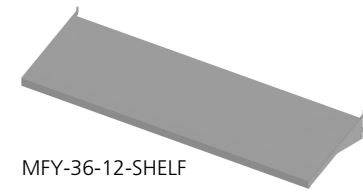


MFY-TWL-FC
6", 8" & 10"

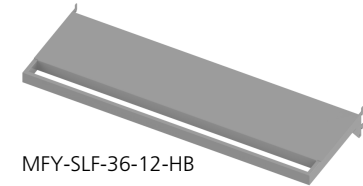


MFY-UBR-FC
6", 8" & 10"

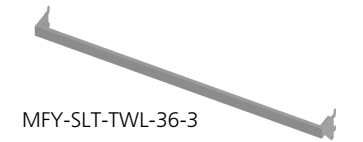
Shelf and Hanger Bars



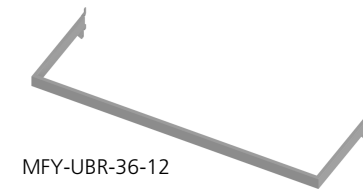
MFY-36-12-SHELF



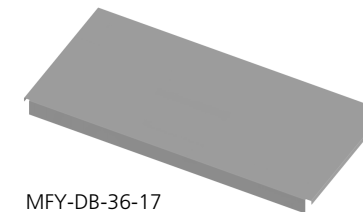
MFY-SLF-36-12-HB



MFY-SLT-TWL-36-3



MFY-UBR-36-12



MFY-DB-36-17

Tools Required



MULTI HEX KEY
(INCLUDED)

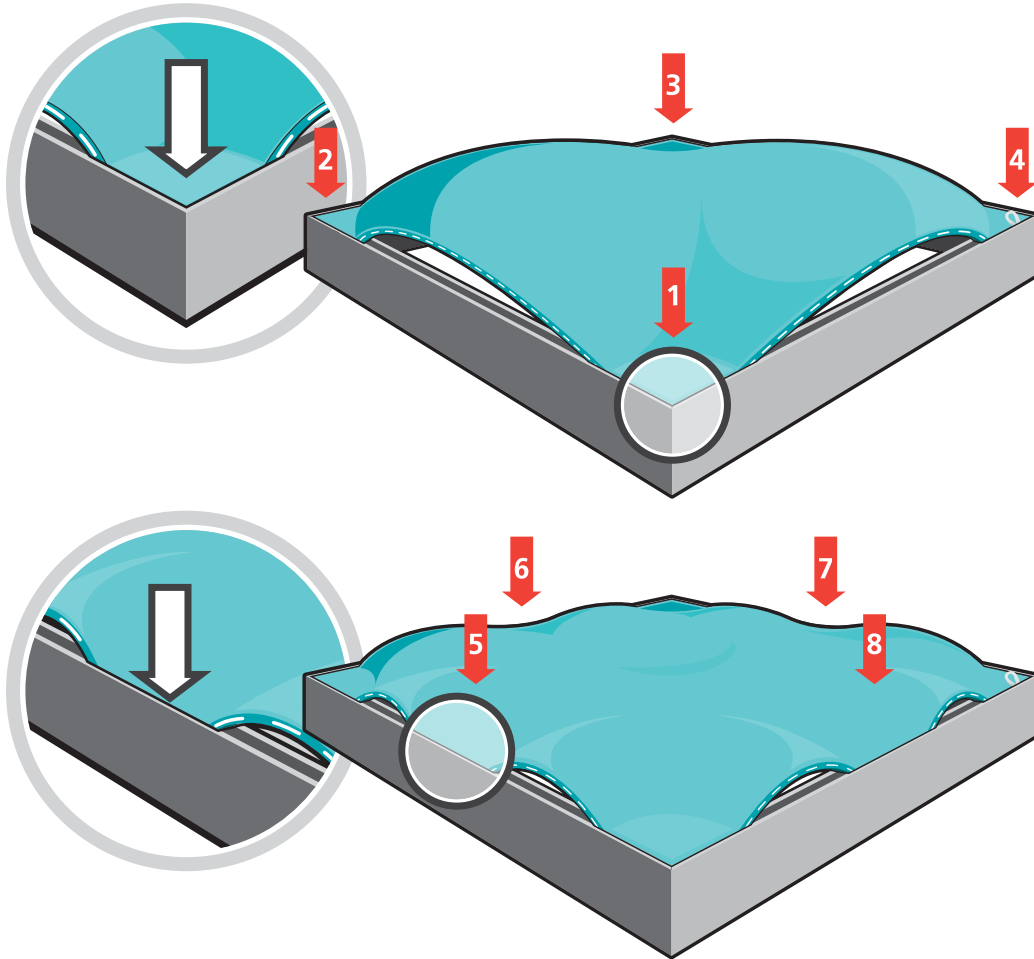


PHILLIPS SCREW DRIVER
(NOT INCLUDED)

How to Apply & Remove Graphics

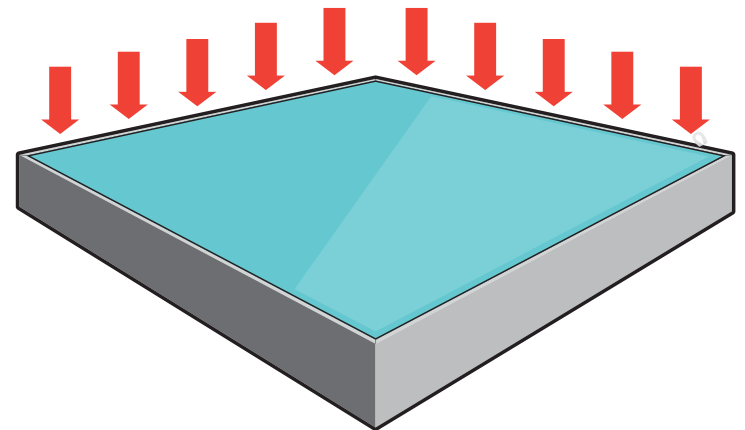
Installation and removal of SEG graphics is easy!

Installation: Push the SEG bead into each corner of the frame (1-4) with your thumb, then push the SEG bead into the middle of the run (5-8) and work your way around the perimeter of the frame until all beading is pushed in properly; if necessary, go around the perimeter again to ensure beading is secure in the extrusion profile.



Note: Keep the set up area clean by using a drop cloth, washing hands before set-up or by wearing gloves.

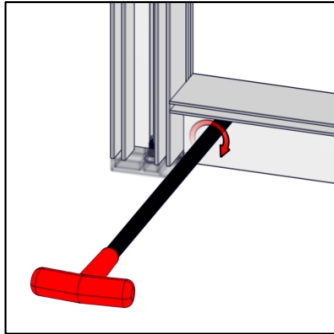
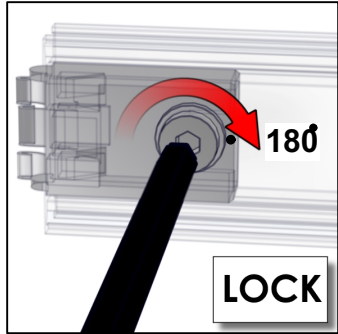
Removal: Use the pull tab located on the graphic and gently pull the graphic from the frame, going around the perimeter.



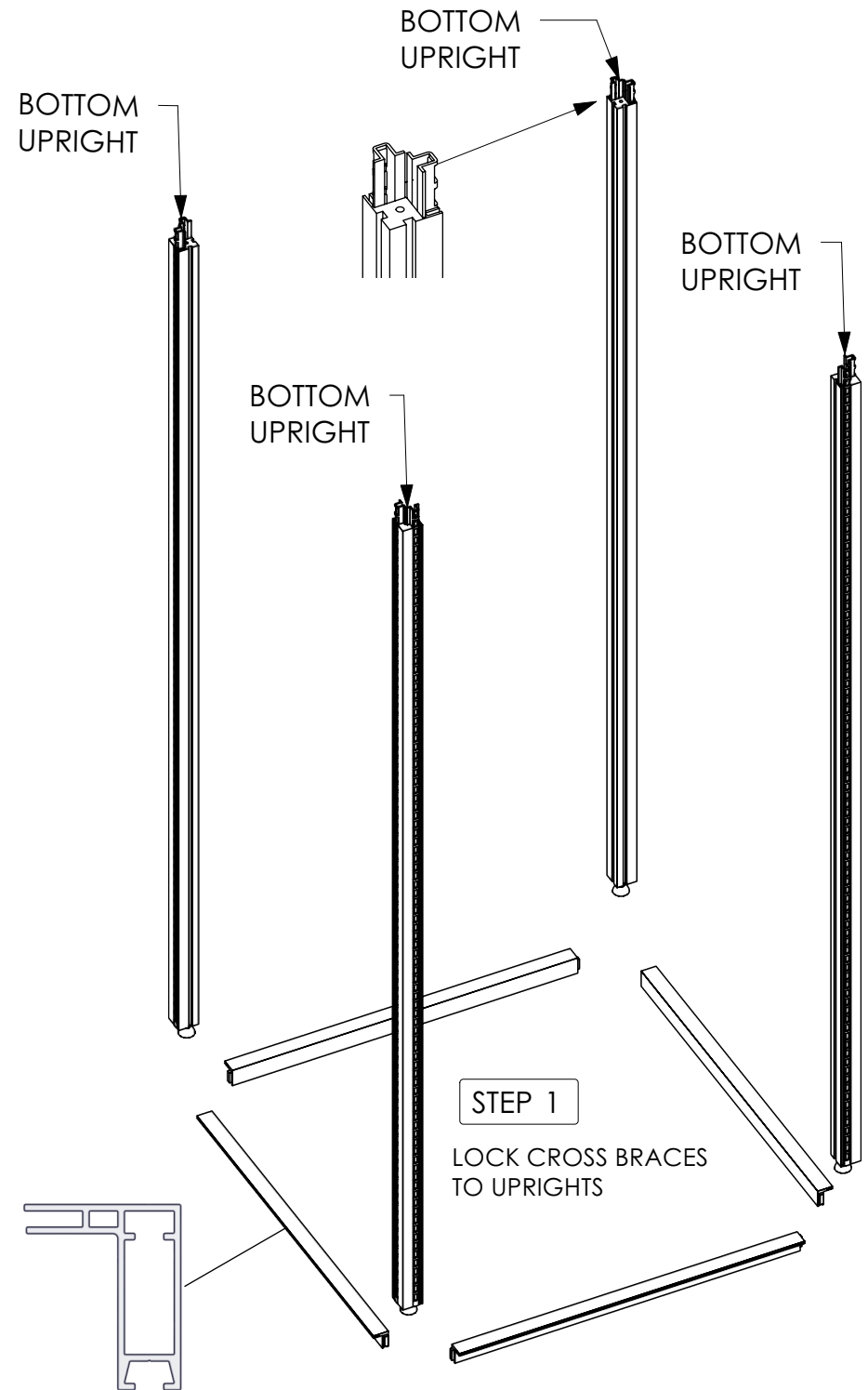
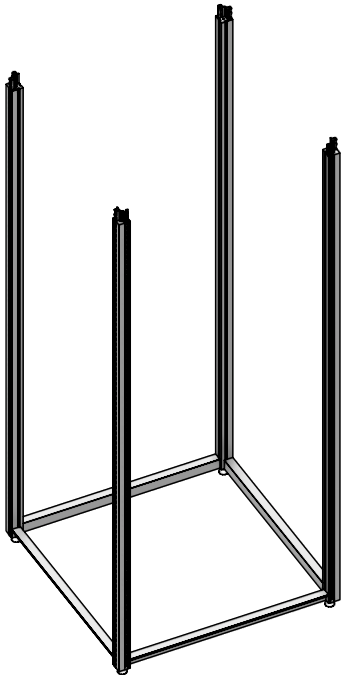
Graphics Storage & Care

Graphics should be folded with the graphic facing inward and stored in a zip lock /sealable plastic bag. Spot clean by wiping with a damp white cloth. If washing is necessary, use a commercial size front-loading washing machine, gentle cycle with cool water. Line dry flat. Dry cleaning is NOT recommended to prevent shrinkage.

QTY	IMAGE	DESCRIPTION
4		883MM (34.7in) OF SINGLE SIDED SEG EXTRUSION -WITH CAM LOCKS BOTH ENDS
4		5/16" x 1.6" length thread adjustable foot
4		2300MM (90.55in) BOTTOM UPRIGHT



IMPORTANT! MAKE A HALF TURN TO LOCK EXTRUSIONS

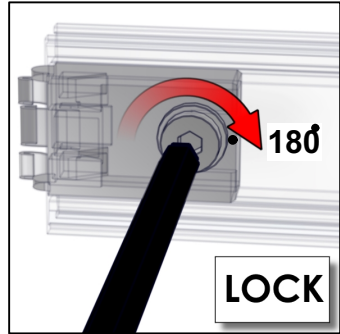
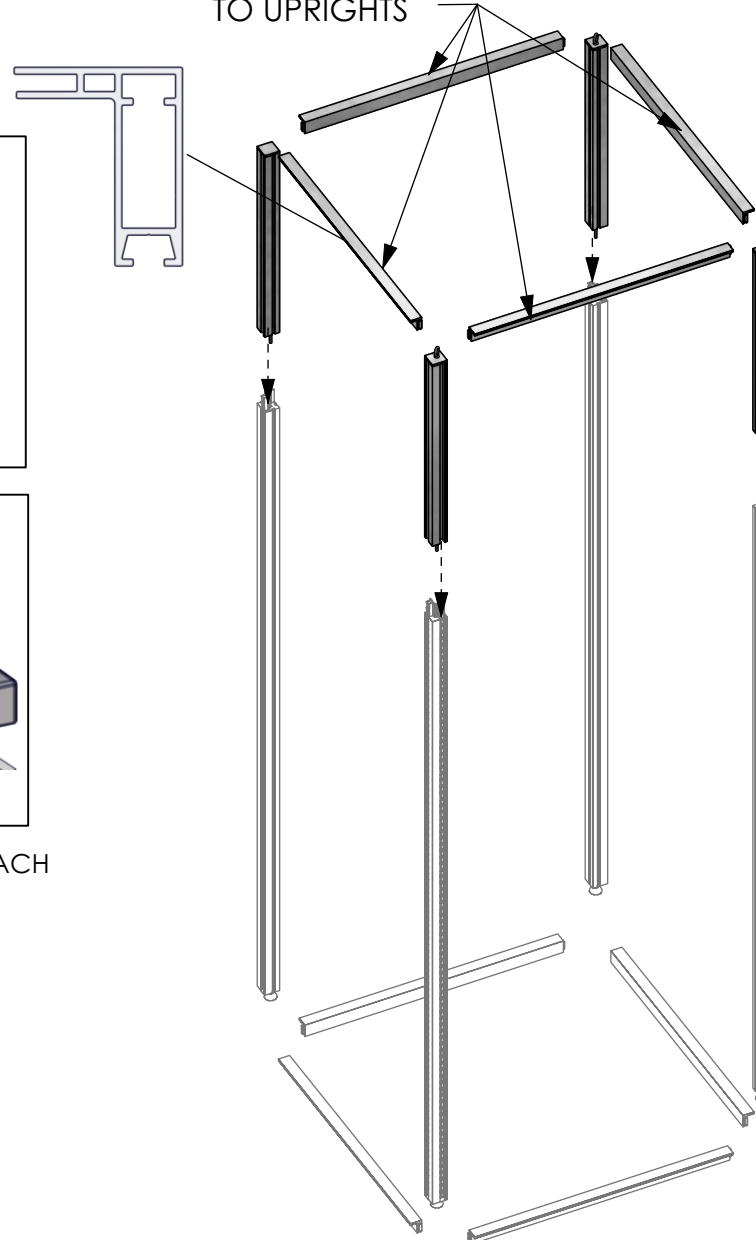


QTY	IMAGE	DESCRIPTION
4		883MM (34.7in) OF SINGLE SIDED SEG EXTRUSION -WITH CAM LOCKS BOTH ENDS
4		7MM SEG PLASTIC END CAP FOR 825 EXTRUSION
3		GALV STEEL EYEBOLT W/ SHOULDER & NUT 5/16"-18 THRD. 2 3/4" L
4		709MM (27.9in) TOP UPRIGHT

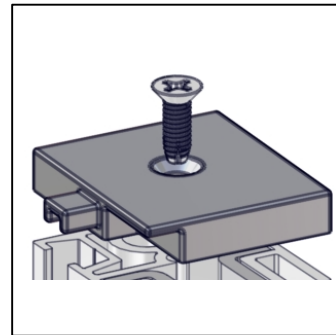
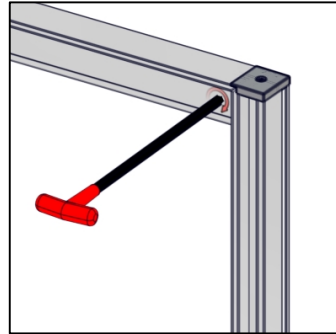
SETUP INSTRUCTIONS

STEP 3

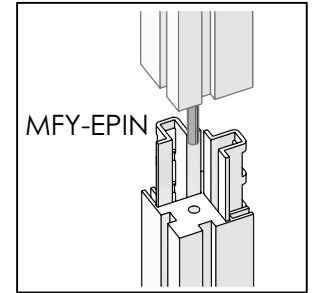
LOCK CROSS BRACES TO UPRIGHTS



IMPORTANT! MAKE A HALF TURN TO LOCK EXTRUSIONS



LOOSEN END CAP TO ATTACH TOP CROSS BRACE



MFY-EPIN


EXTENSION PIN



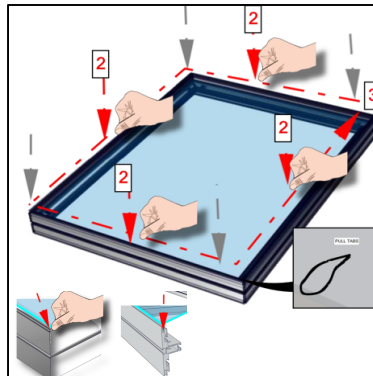
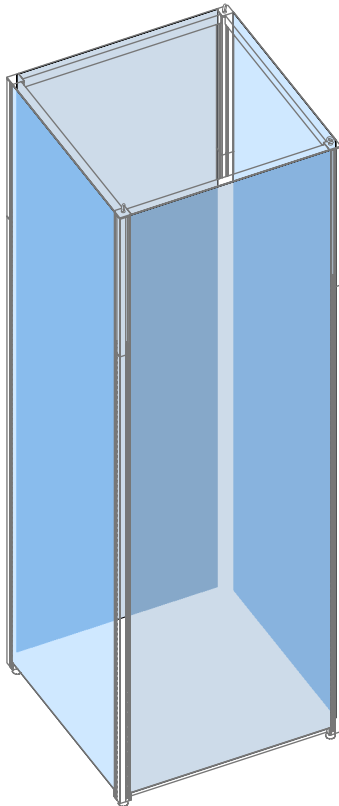
TOP UPRIGHT EXTENSION PIN



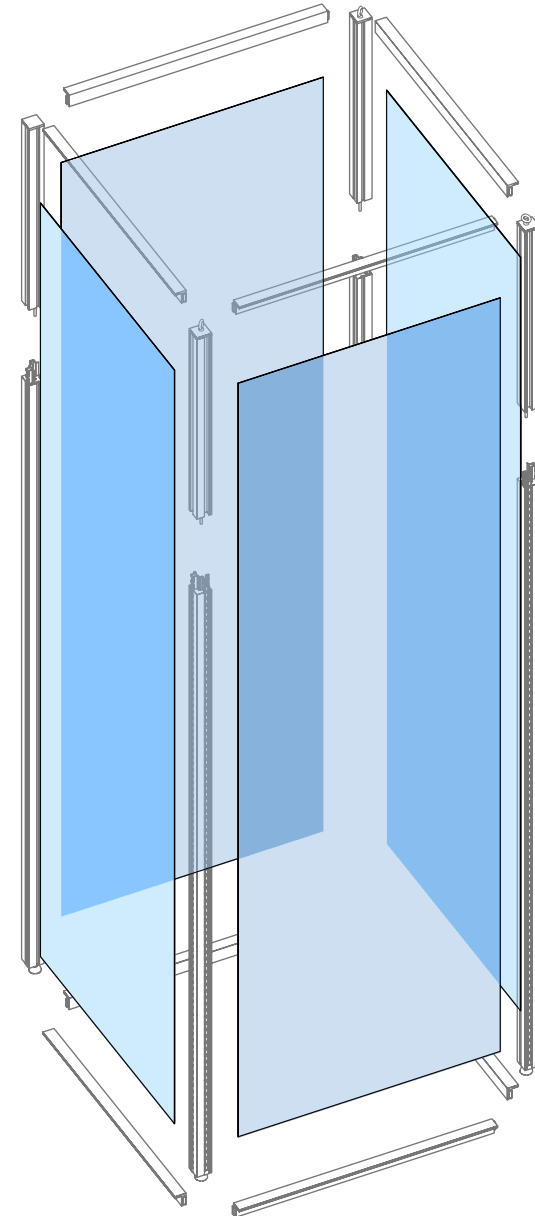
BOTTOM UPRIGHT

QTY	IMAGE	DESCRIPTION
4		(39.26 w X 121.11 h total size) 35.26 w X 117.11 h finish size, Dye-sub print on Eclipse Blockout Stretch, single sided, sewn with FCE-2 silicone beading around perimeter & pull tab in bottom right corner (WITH 1/4" NOTCH LEFT & RIGHT BOTTOM HORIZONTAL SIDE CORNERS)

SETUP INSTRUCTIONS



THEN PRESS ALONG THE PERIMETER EDGE



QTY	IMAGE	DESCRIPTION
1		(244.00 w X 22.00 h total size) 240.00 w X 18.00 h finish size. Custom Pillowcase Graphic, dye-sub print on 5oz. Soft Knit, opaque liner, single sided, sewn with zipper, up to 120" width (Outside)

SETUP INSTRUCTIONS

SET UP INSTRUCTIONS:

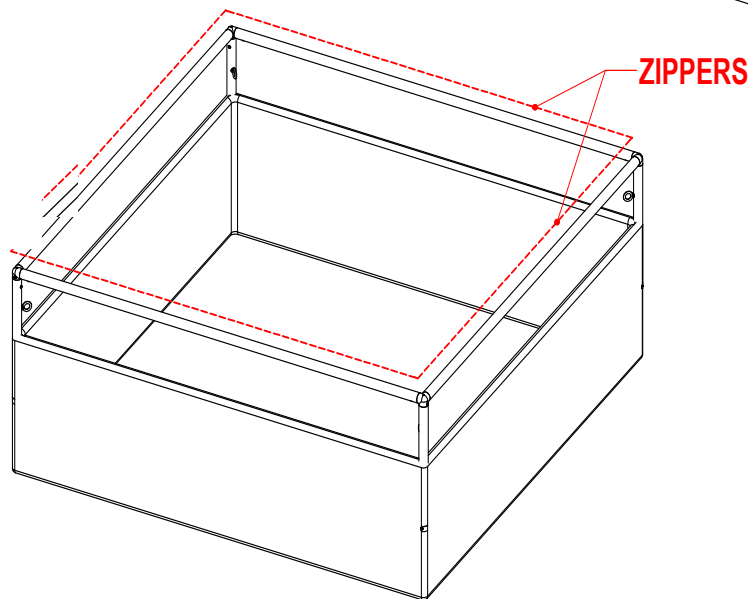
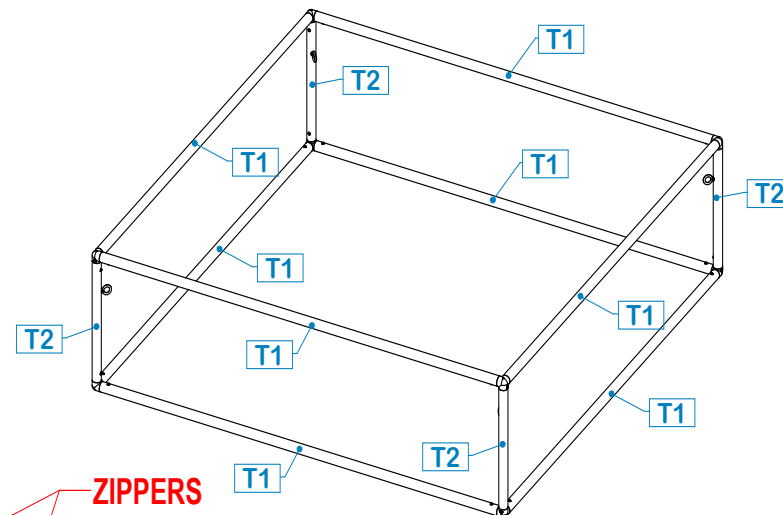
1. CONNECT BOTTOM AND TOP TUBES FOLLOWING THE LABELS
2. CONNECT SIDE TUBES
3. CLEAN THE FRAME AND PLACE THEM ON CLEAN PLACE
4. CAREFULLY REMOVE FABRIC COVER FROM BAG
5. PLACE COVER AROUND THE BOTTOM OF THE FRAME
6. PULL COVER CAREFULLY UP TO THE TOP
7. CLOSE ALL ZIPPERS
8. ADJUST FABRIC AROUND THE FRAME
9. CONNECT CABLE HARNESS TO THE EYEBOLTS
10. COMPLETELY TIGHTEN THREADED CONNECTORS


BREAK DOWN INSTRUCTIONS:

REVERSE SET-UP STEPS TO BREAKDOWN FRAME

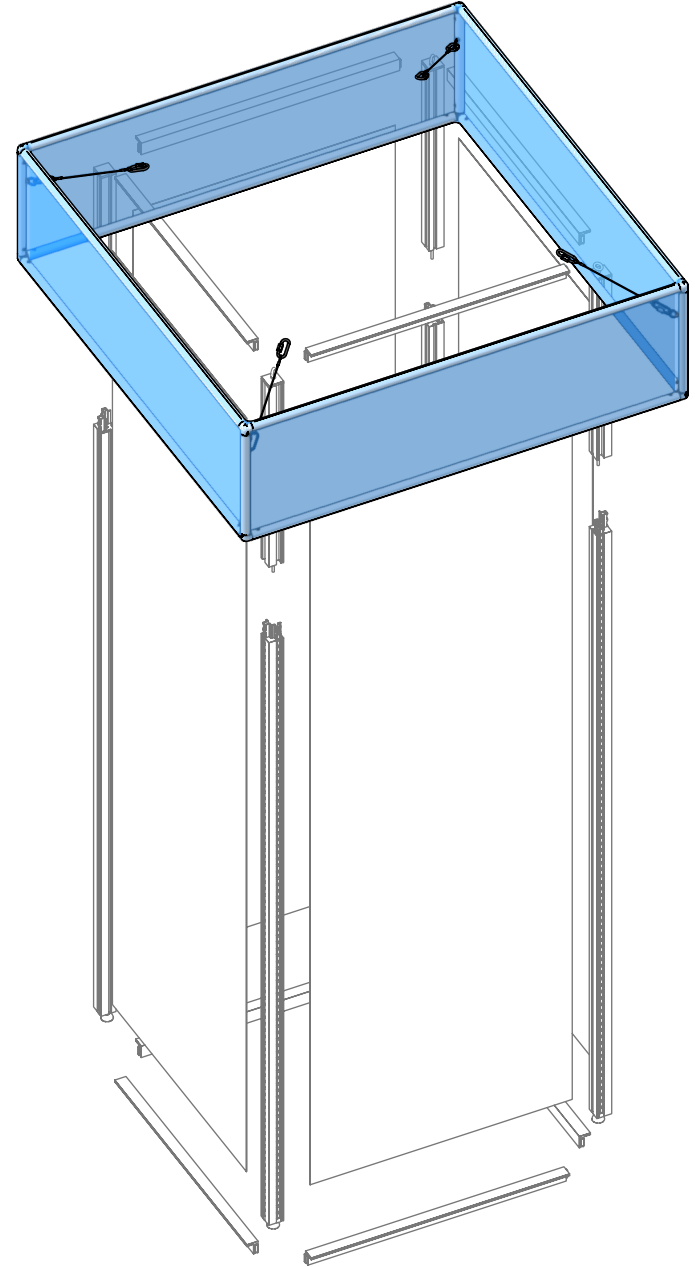
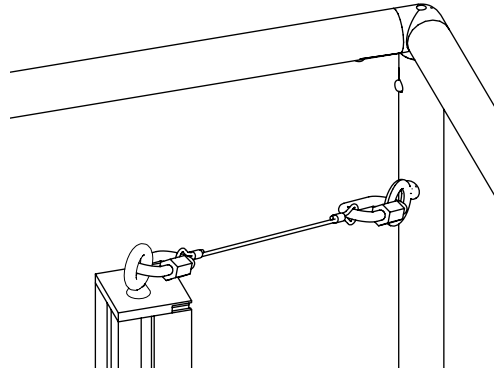
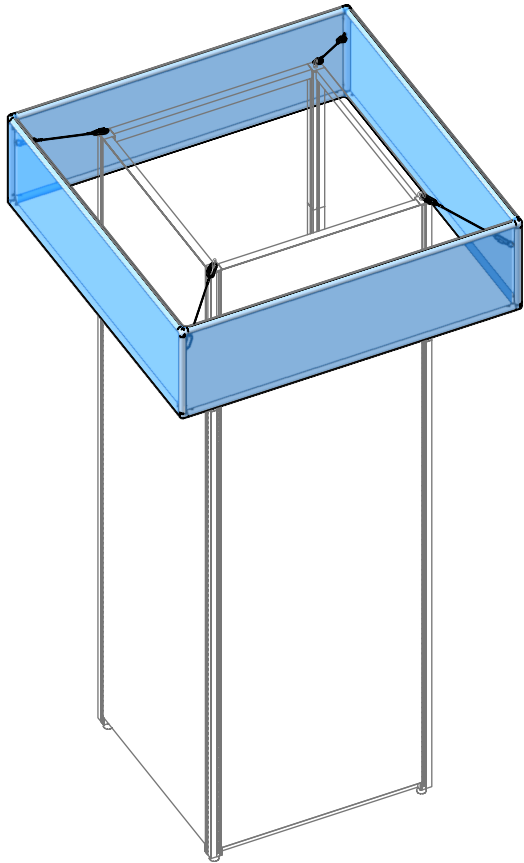
FABRIC CARE INSTRUCTIONS:

1. UNZIP COVER ZIPPERS
2. CAREFULLY REMOVE FABRIC COVER
3. CLOSE ALL ZIPPERS
4. FOLD OR ROLL NEATLY
5. PLACE FABRIC IN COVER BAG




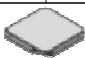
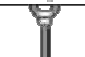
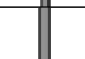



QTY	IMAGE	DESCRIPTION
1		<p>(244.00 w X 22.00 h total size) 240.00 w X 18.00 h finish size. Custom Pillowcase Graphic, dye-sub print on 5oz. Soft Knit, opaque liner, single sided, sewn with zipper, up to 120" width (Outside)</p>





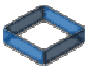
SETUP INSTRUCTIONS



Kit Hardware BOM

ITEM	COMPONENTS	QTY	DESCRIPTION
	810-883-01-01	8	883MM (34.76in) OF SINGLE SIDED SEG EXTRUSION -WITH CAM LOCKS BOTH ENDS
	825-709	4	709MM (27.91in) TOP UPRIGHT
	825-2300	4	2300MM (90.55in) BOTTOM UPRIGHT
	825-EC	4	7MM SEG PLASTIC END CAP FOR 825 EXTRUSION
	EYEBOLT-5/16-18-2-3/4	4	GALV STEEL EYEBOLT W/ SHOULDER & NUT 5/16"-18 THRD. 2 3/4" L
	MFY-EPIN	1	MODify Tapered Extension Pin, 5/16-18 thread
	MFY-LVL	4	5/16" x 1.6" length thread adjustable foot

Kit Graphics BOM

	<p>MFY-4S-01-A-G</p>	<p>1</p>	<p>(39.26 w X 121.11 h total size) 35.26 w X 117.11 h finish size, Dye-sub print on Eclipse Blockout Stretch, single sided, sewn with FCE-2 silicone beading around perimeter & pull tab in bottom right corner (WITH 1/4" NOTCH LEFT & RIGHT BOTTOM HORIZONTAL SIDE CORNERS)</p>
	<p>MFY-4S-01-B-G</p>	<p>1</p>	<p>(39.26 w X 121.11 h total size) 35.26 w X 117.11 h finish size, Dye-sub print on Eclipse Blockout Stretch, single sided, sewn with FCE-2 silicone beading around perimeter & pull tab in bottom right corner (WITH 1/4" NOTCH LEFT & RIGHT BOTTOM HORIZONTAL SIDE CORNERS)</p>
	<p>MFY-4S-01-C-G</p>	<p>1</p>	<p>(39.26 w X 121.11 h total size) 35.26 w X 117.11 h finish size, Dye-sub print on Eclipse Blockout Stretch, single sided, sewn with FCE-2 silicone beading around perimeter & pull tab in bottom right corner (WITH 1/4" NOTCH LEFT & RIGHT BOTTOM HORIZONTAL SIDE CORNERS)</p>
	<p>MFY-4S-01-D-G</p>	<p>1</p>	<p>(39.26 w X 121.11 h total size) 35.26 w X 117.11 h finish size, Dye-sub print on Eclipse Blockout Stretch, single sided, sewn with FCE-2 silicone beading around perimeter & pull tab in bottom right corner (WITH 1/4" NOTCH LEFT & RIGHT BOTTOM HORIZONTAL SIDE CORNERS)</p>
	<p>MFY-4S-01-E-G</p>	<p>1</p>	<p>(244.00 w X 22.00 h total size) 240.00 w X 18.00 h finish size. Custom Pillowcase Graphic, dye-sub print on 5oz. Soft Knit, opaque liner, single sided, sewn with zipper, up to 120" width (Outside)</p>